

multiswitch capacitor contactor



K3-10N...
K3-14N...
K3-18N...
K3-22N...



K3-24...
K3-32...
K3-40...



K3-50...
K3-62...
K3-74...



K3-90...
K3-115...

Capacitor contactors without early make contacts

Specifications:

K3 power contactors... are well-suited for switching of de-tuned filter circuit capacitor batteries (IEC 70 and 831) with reactors.

Operating conditions:

Only for use in detuned compensation systems! Power contactors do not have early make contacts and damping resistors.

TYPE	Item no.	Power in kvar at 50 °C
K3-18ND-10-230	10521	12.5
K3-32A-00-230	10524	25.0
K3-62A-00-230	10527	50.0
K3-74A-00-230	10532	75.0
K3-90A-00-230	10528	80.0
K3-115A-00-230	10533	100.0

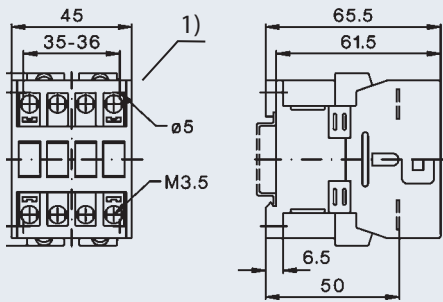
Technical data in accordance with IEC 947, EN 60947

TYPE			10ND	14ND	18ND	22ND	24A	32A	40A	50A	62A	74A	90A	115A
AC3	400 V	Motor	10A	14A	18A	22A	24A	32A	40A	50A	62A	74A	90A	115A
		380-400 V	4 kW	5.5 kW	7.5 kW	11 kW	11 kW	15 kW	18.5 kW	22 kW	30 kW	37 kW	45 kW	55 kW
		660-690 V	5.5 kW	7.5 kW	10 kW	10 kW	15 W	18.5 kW	18.5 kW	30 kW	37 kW	45 kW	55 kW	55 kW
AC1	690V at 40 °C		25A	25A	32A	32A	50A	65A	80A	110A	120A	1230A	160A	200A
TYPE	K3-		10ND10	14ND10	18ND10	22ND10	24A00	32A00	40A00	50A00	62A00	74A00	90A00	115A00
		Auxiliary contacts	1S	1S	1S	1S	-	-	-	-	-	-	-	-
		K3-	10ND01	10ND01	18ND01	22ND01								
			1Ö	1Ö	1Ö	1Ö								
Connection cross sections	single-wire or multi-wire	mm ²	0.75 - 6				1.5 - 25			4 - 50			10 - 120	
	fine-wire	mm ²	1 - 4				2.5 - 16			10 - 35			10 - 95	
Auxiliary contact	I _{th} 40 °C	A	10				-			-			-	
	AC15 230 V	A	3				-			-			-	
	400 V	A	2				-			-			-	
Power of the magnetic coils		VA	33 - 45				90 - 115			140 - 165			28/0	
		VA	7 - 10				9 - 13			13 - 18			5	
	Control voltage range		0.85 - 1.1				0.85 - 1.1			0.85 - 1.1			0.85 - 1.1	
Assembly			Quick fastening on 35 mm DIN rail and screw fastening										2 rails or screws	

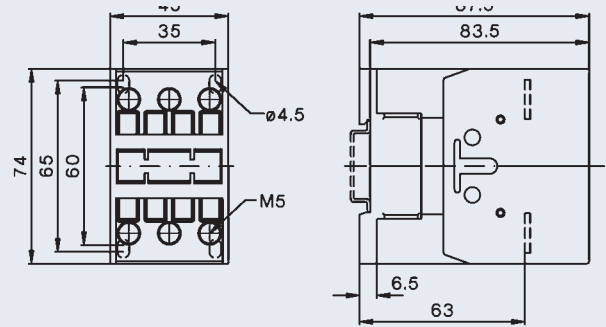
multiswitch capacitor contactor

Capacitor contactors without early make contacts

K3-10N...
K3-14N...
K3-18N...
K3-22N...



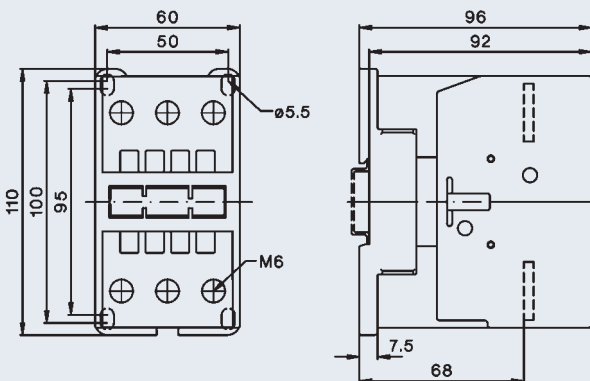
K3-24...
K3-32...
K3-40...



1) Minimum side clearance to conductive parts at coil voltages:

500 V	$U_{imp} = 6 \text{ kV}$	2 mm
660-690 V	$U_{imp} = 8 \text{ kV}$	4.5 mm

K3-50...
K3-62...
K3-74...



K3-90...
K3-115...

