

SUMMARY OF MODELS OF FUSE-BASE AND FUSE HOLDERS

					
Type	SPB	S3PB	SPF	SP4..	SP50
Rated current I_n	160 A / 250 A / 400 A	160 A / 250 A / 400 A	160 A / 250 A / 400 A / / 630 A	50 A / 160 A / 400 A	630 A / 700 A
Rated voltage AC/DC U_n	690 V	690 V	690 V	690 V	690 V / 1 000 V / / 1 800 V
Size	00, 1, 2	00, 1, 2	00, 1, 2, 3	-	-
Size / fuse-link type	000, 00, 1, 2	000, 00, 1, 2	000, 00, 1, 2, 3	P50K06, P50R06, P50T06	P50U06, P52U06, P40U10, P50U10, P50V10, P50V16

Accessories					
Terminals			CS-SP-..	-	-
V-shaped clamps			48.., 58..	-	-
Contact covers			K..	-	-
End barriers			PK-S..	-	-
Transitional terminals			V.., W..	-	-
Terminals for parallel connection of fuse-links			-	-	CS-P50TUV-2PS..

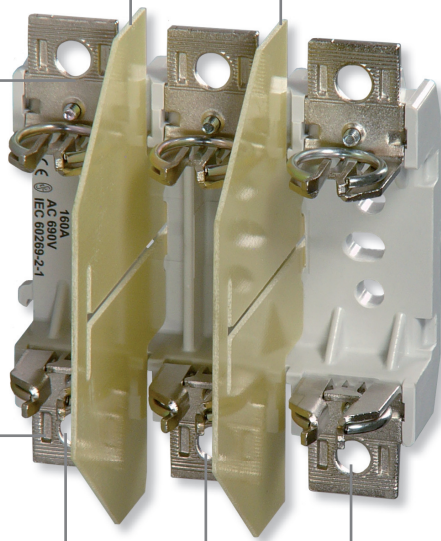
FUSE-BASES SPB, SPF

Description

Contact covers



Interpole barriers



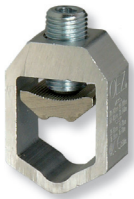
End barriers

- Fibreglass reinforced material.

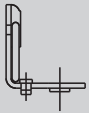
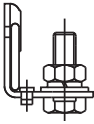
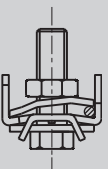









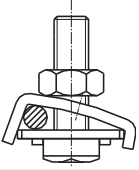
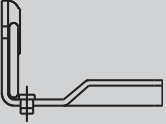
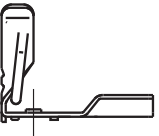


V-shaped clamp

- For connection of conductors to terminals of types „V“ or „W“.



Types of terminals

Marking	Terminal description									
	<p>Without marking</p> <p>Flat screw terminal: size 00 - hole diameter 9 mm (for screw M8) size 1, 2 a 3 - hole diameter 11 mm (for screw M10)</p>									
	<p>S</p> <p>Flat screw terminal:</p> <table border="1"> <thead> <tr> <th>Size</th> <th>Screws</th> <th>Torque</th> </tr> </thead> <tbody> <tr> <td>00</td> <td>M8 x 25</td> <td>10 ÷ 12 Nm</td> </tr> <tr> <td>1, 2, 3</td> <td>M10 x 30</td> <td>30 ÷ 35 Nm</td> </tr> </tbody> </table>	Size	Screws	Torque	00	M8 x 25	10 ÷ 12 Nm	1, 2, 3	M10 x 30	30 ÷ 35 Nm
Size	Screws	Torque								
00	M8 x 25	10 ÷ 12 Nm								
1, 2, 3	M10 x 30	30 ÷ 35 Nm								
	<p>P</p> <p>Terminal with clamp for direct connection of solid and stranded conductors 1 ÷ 50 mm² Cu and solid conductors 2.5 ÷ 50 mm² Al. It is possible to connect two conductors of cross-sections differing by up to 4 sizes, but of the same kind and type. With power supply SPB00, SPF00, S3PB00. Torque 8 Nm. Delivered as a set of 3 pieces without screws.</p> <table border="1"> <thead> <tr> <th colspan="3">Methods of connection of the P-terminal</th> </tr> </thead> <tbody> <tr> <td> <p>Connection of one conductor over 16 mm²</p>  </td> <td> <p>Connection of one conductor up to 16 mm²</p>  </td> <td> <p>Connection of two conductors</p>  </td> </tr> </tbody> </table>	Methods of connection of the P-terminal			<p>Connection of one conductor over 16 mm²</p> 	<p>Connection of one conductor up to 16 mm²</p> 	<p>Connection of two conductors</p> 			
Methods of connection of the P-terminal										
<p>Connection of one conductor over 16 mm²</p> 	<p>Connection of one conductor up to 16 mm²</p> 	<p>Connection of two conductors</p> 								
	<p>H</p> <p>Terminal with clamp for direct connection and looping of Cu/Al conductors 2.5 ÷ 50 mm². With power supply SPB00, S3PB00. Torque 8 Nm. Delivered as a set of 3 pieces without screws.</p>									
	<p>V</p> <p>V-shaped terminal for clamps type 4836 N-S, 4835 and 5836-2x70 for fuse-base size 00.</p>									
	<p>W</p> <p>V-shaped terminal for clamps type 5845 and 5837-2x240 for fuse-base size 1 and 2.</p>									

FUSE-BASES SPB, SPF



- Fuse-bases are intended for fuse-links with blade contacts.
- The SPB, S3PB base is made of fibreglass reinforced moulding material with high mechanical strength and high thermal resistance.
- Fuse-bases S3PB are always equipped with inter polar barriers
- End barriers must be ordered separately.
- The SPF base is made of zinc-chromated steel sheet. Contact carriers of steatite of high mechanical strength and heat resistance.
- Mounting directly on the mounting panel by means of screws.

SPB 1-pole with plastic base

I _n [A]	Type	Order code	Description	Weight [kg]	Package [pcs]
160	SPB00 SS	OEZ:11853	M8 - terminal screws installed	0.13	3
	SPB00 SV	OEZ:11855	combination: M8 - terminal screw and V-shaped terminal	0.13	3
	SPB00 VV	OEZ:17231	terminals with V-shaped terminals (without clamp)	0.13	3
250	SPB1 SS	OEZ:10462	M10 - terminal screws installed	0.36	3
	SPB1 SW	OEZ:10463	combination: M 10 - terminal screw and V-shaped terminal	0.36	3
	SPB1 WW	OEZ:09409	terminals with V-shaped terminals (without clamp)	0.36	3
400	SPB2 SS	OEZ:10464	M10 - terminal screws installed	0.42	3
	SPB2 SW	OEZ:10465	combination: M 10 - terminal screw and V-shaped terminal	0.42	3
	SPB2 WW	OEZ:09412	terminals with V-shaped terminals (without clamp)	0.42	3

SPF 1-pole with steel base

I _n [A]	Type	Order code	Description	Weight [kg]	Package [pcs]
160	SPF00--	OEZ:11848	M8 - terminal screws with pressing-in nuts, the screws are attached	0.28	3
250	SPF1 SS	OEZ:07393	M10 - terminal screws installed	0.70	3
400	SPF2 SS	OEZ:07401	M10 - terminal screws installed	0.81	3
630	SPF3 SS	OEZ:07408	M10 - terminal screws installed	0.87	3

S3PB 3-pole with plastic base

I _n [A]	Type	Order code	Description	Weight [kg]	Package [pcs]
160	S3PB00 SS	OEZ:11859	M8 - terminal screws installed	0.50	1
	S3PB00 SV	OEZ:11862	combination: M8 -terminal screw and V-shaped terminal	0.50	1
	S3PB00 VV	OEZ:11861	terminals with V-shaped terminals (without clamp)	0.50	1
250	S3PB1 SS	OEZ:07358	M10 - terminal screws installed	1.20	1
	S3PB1 SW	OEZ:07362	combination: M 10 - terminal screw and V-shaped terminal	1.20	1
	S3PB1 WW	OEZ:07361	terminals with V-shaped terminals (without clamp)	1.20	1
400	S3PB2 SS	OEZ:07365	M10 - terminal screws installed	1.40	1
	S3PB2 SW	OEZ:07369	combination: M 10 - terminal screw and V-shaped terminal	1.40	1
	S3PB2 WW	OEZ:07368	terminals with V-shaped terminals (without clamp)	1.40	1

Accessories

Terminals	CS-SP..	page G8
Contact covers	K..	page G8
End barrier	PK-S..	page G8
V-shaped clamps	48.., 58..	page G10
Transitional terminals	V.., W..	page G11

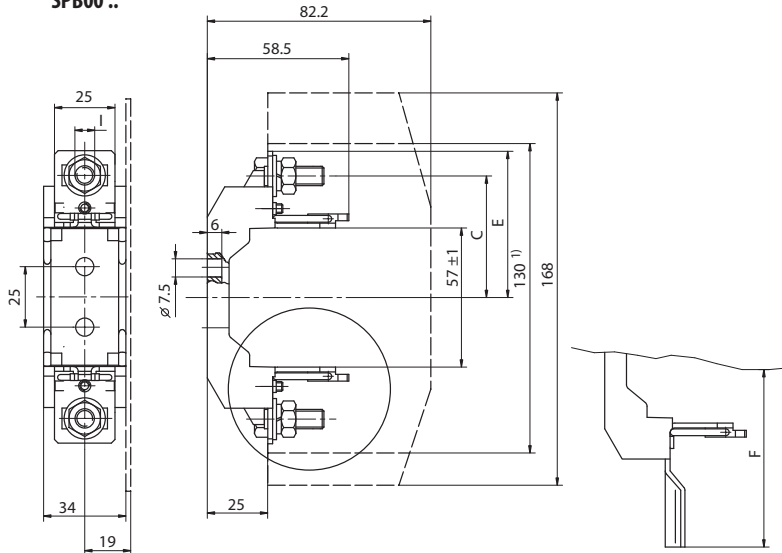
FUSE-BASES SPB, SPF

Specifications

Type		SPB00, SPF00, S3PB00	SPB1, SPF1, S3PB1	SPB2, SPF2, S3PB2	SPF3
Standards		IEC 60969-1, -2 DIN 43620 EN 60269-1	IEC 60969-1, -2 DIN 43620 EN 60269-1	IEC 60969-1, -2 DIN 43620 EN 60269-1	IEC 60969-1, -2 DIN 43620 EN 60269-1
Approval marks					
Rated operating voltage AC/DC	U_n	690 V	690 V	690 V	690 V
Rated operating current	I_n	160 A	250 A	400 A	630 A
Size		00	1	2	3
Fuse-link size		000(00C), 00	1, (0, 01)	2, (02)	3, (03)
Max. power losses of the fuse-link	P_v	12 W	32 W	45 W	60 W
Operating conditions					
Degree of protection		IP00	IP00	IP00	IP00
Seismic resistance according to VE ŠKODA		3g / 8 ÷ 50 Hz	3g / 8 ÷ 50 Hz	3g / 8 ÷ 50 Hz	3g / 8 ÷ 50 Hz

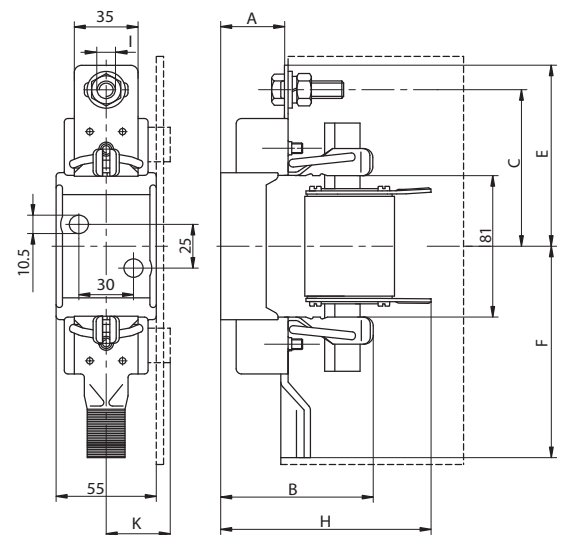
Dimensions

SPB00 ..



¹⁾ can be broken off

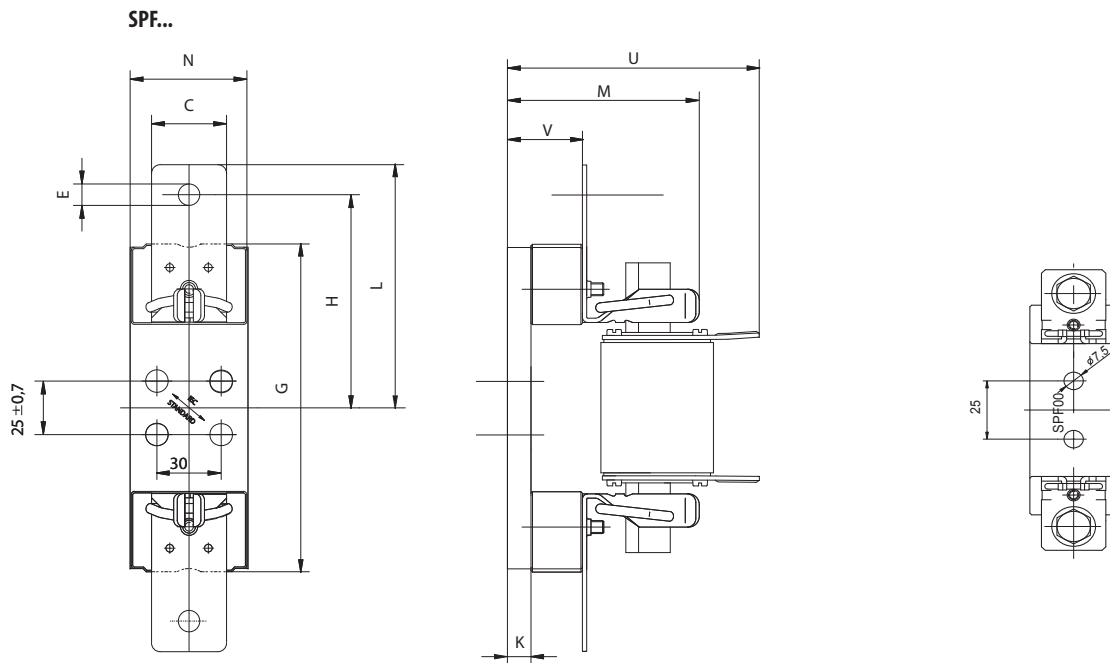
SPB1.2 ..



Type	A	B	C	E	F	H	I	K
SPB00 SS	-	-	50 ± 0.75	60.2	-	-	∅ 9	-
SPB00 SV	-	-	50 ± 0.75/-	60.2/-	-/80.5	-	∅ 9/-	-
SPB00 VV	-	-	50 ± 0.75	-	80.5	-	-	-
SPB1 SS	37.0	85.1	87.5	100.5	-	108	∅ 11	31
SPB1 SW	37.0	83.5	87.5/-	100.5/-	-/110.5	108	∅ 11/-	31
SPB1 WW	37.0	85.2	-	-	110.5	108	-	31
SPB2 SS	37.5	89.5	100	114	-	116	∅ 11	36
SPB2 SW	37.5	89.5	100/-	114/-	-/114	116	∅ 11/-	36
SPB2 WW	37.5	89.5	-	-	114	116	-	36

FUSE-BASES SPB, SPF

Dimensions

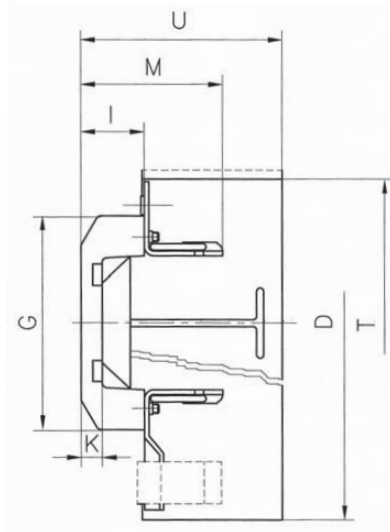
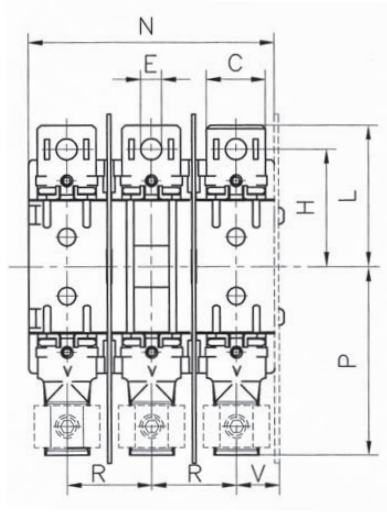


Type	A	E	G	H	K	L	M	N	U	V
SPF00--	25	M8	90	50.0	5.5	60.2	58.5	34	84	25
SPF1 SS	35	∅ 11	153	87.5	11.0	100.0	84.0	55	108	35
SPF2 SS	35	∅ 11	153	100.0	11.0	114.0	90.0	55	116	35
SPF3 SS	40	∅ 11	153	105.0	11.0	119.0	92.0	55	122	35

FUSE-BASES SPB, SPF

Dimensions

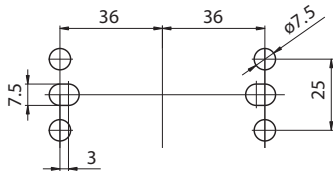
S3PB...



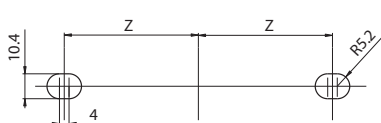
Type	C	D	E	G	H	I	K	L	M	N	P	R	T	U	V
[mm]															
S3PB00 SS	25	-	∅9	104	50	25	9	60	58.5	105	-	36	130	86	19
S3PB00 SV	25/-	168	∅9/-	104	50/-	25	9	60/-	58.5	105	-/80.5	36	-	86	19
S3PB00 VV	-	168	-	104	-	25	9	-	58.5	105	80.5	36	-	86	19
S3PB1 SS	35	-	∅11	146	87.5	35	7	100	84.0	159	-	56	205	108	31
S3PB1 SW	35/-	230	∅11/-	146	87.5/-	35	7	100/-	84.0	159	-/110	56	-	108	31
S3PB1 WW	-	230	-	146	-	35	7	-	84.0	159	110	56	-	108	31
S3PB2 SS	35	-	∅11	146	100	35	7	114	90.0	179	-	66	230	116	36
S3PB2 SW	35/-	230	∅11/-	146	100/-	35	7	114/-	90.0	179	-/114	66	-	116	36
S3PB2 WW	-	230	-	146	-	35	7	-	90.0	179	114	66	-	116	36

Fixing holes of fuse-bases

S3PB00

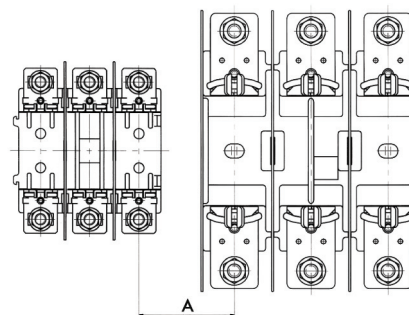


S3PB1, S3PB2



Type	Z
S3PB1	56
S3PB2	66

Mounting of fuse-bases of different size side by side



Combination	A [mm]
S3PB00-S3PB1	70
S3PB00-S3PB2	75

ACCESSORIES FOR SPB, SPF



Terminals

- For terminal CS-SP-3P the connecting cross-section is:
 - for both solid and stranded Cu conductor $1 \div 70 \text{ mm}^2$
 - for solid Al conductor $2.5 \div 50 \text{ mm}^2$.
- For terminal CS-SP-3H the connecting cross-section of both solid and stranded Cu/Al conductor is $2.5 \div 50 \text{ mm}^2$.

Type	Order code	Description	Weight [kg]	Package [pcs]
CS-SP-3P	OEZ:07353	for SPB00, SPF00, S3PB00, 3 pcs	0.025	1
CS-SP-3H	OEZ:16862	for SPB00, S3PB00, 3 pcs	0.010	1

Contact covers

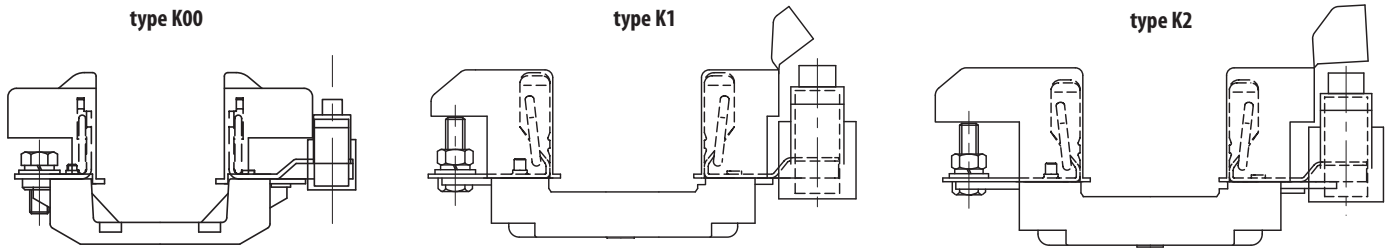
Type	Order code	Description	Weight [kg]	Package [pcs]
K00	OEZ:07892	for SPB00, SPF00, S3PB00	0.012	1
K1	OEZ:07364	for SPB1, SPF1, S3PB1	0.019	1
K2	OEZ:07371	for SPB2, SPF2, S3PB2	0.025	1

End barriers

Type	Order code	Description	Weight [kg]	Package [pcs]
PK-SPB00/168	OEZ:10418	for SPB00	0.034	1
PK-S3PB00/168	OEZ:09600	for SPB00	0.034	1
PK-S3PB1/230	OEZ:09601	for SPB1, S3PB1	0.055	1
PK-S3PB2/168	OEZ:07370	for SPB2, S3PB2	0.070	1

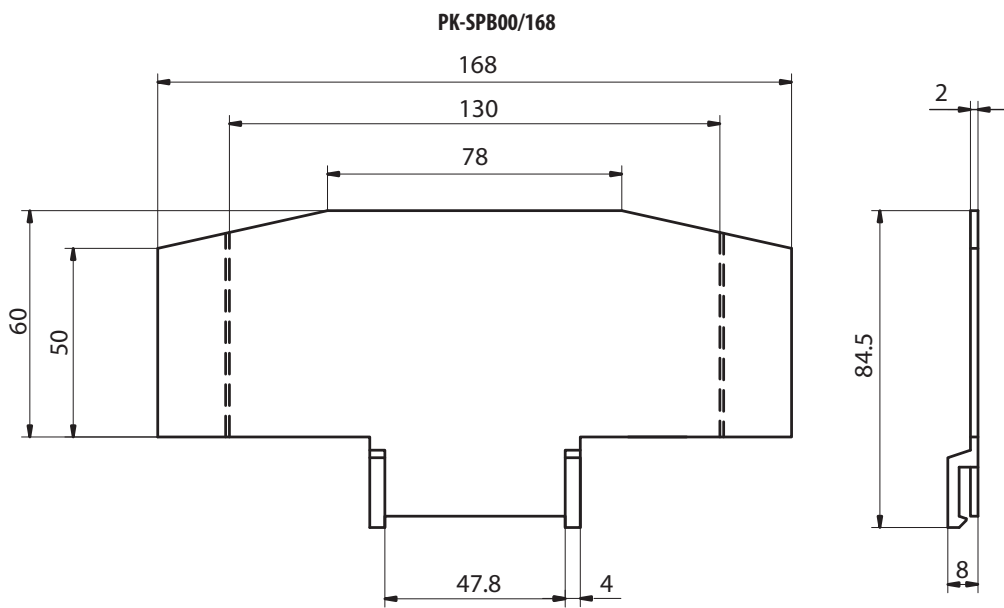
ACCESSORIES FOR SPB, SPF

Contact covers



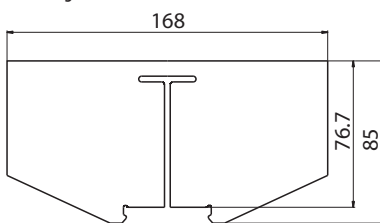
Dimensions

End barriers



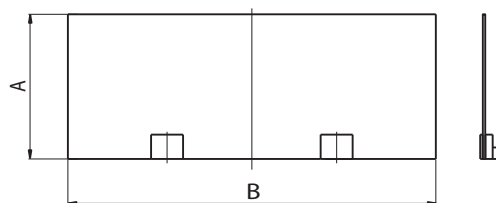
End barrier for S3PB00

- fibreglass reinforced material



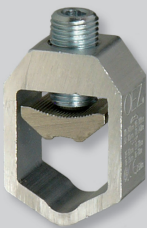
End barrier for S3PB1 and S3PB2

- fibreglass reinforced material



Type	A	B
PK-S3PB1/230	107	230
PK-S3PB2/230	115	230

ACCESSORIES FOR SPB, SPF



V-shaped clamps

- Are intended for connection of conductors to terminals of types „V“ or „W“ and to transitional terminals of types V, W and WD.
- Easy installation.
- Mounting without mechanical adjustment of the conductor.
- Use:
 - fuse-bases with V-shaped terminals
 - fuse switch-disconnectors of vertical design FSD1, FSD2, FSD3
 - fuse-rails FSR1, FSR2, FSR3.

Type	Order code	Weight [kg]	Package [pcs]
4836 N-S	OEZ:07383	0.041	1
4835 ¹⁾	OEZ:38778	0.045	1
5845	OEZ:20479	0.085	1
5836-2X-70	OEZ:07382	0.078	1
5837-2X240 ²⁾	OEZ:07386	0.167	1

¹⁾ The set contains: V-shaped clamp 4836 N-S + insulation cover of V-shaped clamp

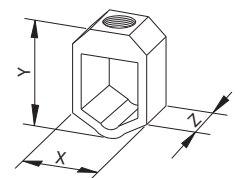
²⁾ Can not be used for fuse switch-disconnectors of vertical design FSD

Insulation cover of V-shaped clamp





Type	Order code	Description	Weight [kg]	Package [pcs]
4834SK	OEZ:00021	for V-shaped clamps 5845	0.041	1

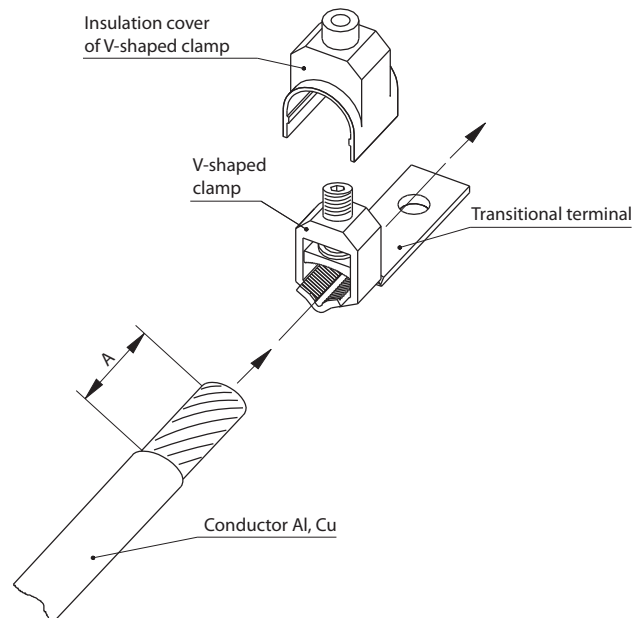
Specifications

Type	Use with V-terminals	Torque [Nm]	Dimensions [mm]			Removal of cable insulation [mm] A
			X	Y	Z	
4836 N-S	V	20	28	38	21	max. 23
4835	V	12 ÷ 15	27	37	18	max. 23
5845	W	25	34	49	23	max. 25
5836-2x70	V	20	28	58	18	max. 23
5837-2x240	W	30	37	76	23	max. 25



Cross-sections and types of conductors

Type	Cross-section of conductor S [mm ²]			
	sector-shaped stranded sm	sector-shaped solid se	round stranded rm	round solid re
				
4836 N-S	25 ÷ 120 Cu/Al	25 ÷ 120 Cu/Al	16 ÷ 95 Cu/Al	16 ÷ 95 Cu/Al
4835	35 ÷ 95 Cu/Al	50 ÷ 120 Cu/Al	10 ÷ 50 Cu/Al	10 ÷ 50 Cu/Al
5845	35 ÷ 240 Cu/Al	35 ÷ 300 Cu/Al	16 ÷ 185 Cu/Al	16 ÷ 240 Cu/Al
5836-2x70	2x (25 ÷ 120) Cu/Al	2x (25 ÷ 120) Cu/Al	2x (16 ÷ 95) Cu/Al	2x (16 ÷ 95) Cu/Al
5837-2x240	2x (70 ÷ 240) Cu/Al	2x (95 ÷ 300) Cu/Al	2x (50 ÷ 120) Cu/Al	2x (70 ÷ 150) Cu/Al

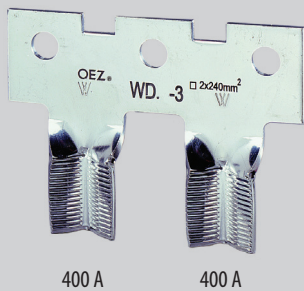


ACCESSORY FOR SPB, SPF

Transitional terminals

- They are intended for transition from a screw terminal to "V" or "W" terminal.
- Type V, W is designed for one conductor.
- Type WD is designed for looping two conductors.

Rated load [A]	Type	Order code	Weight [kg]	Package [pcs]
160	V8	OEZ:07387	0.030	15
	V10	OEZ:14146	0.030	15
400	W10	OEZ:07388	0.042	12
	W12	OEZ:07389	0.042	12
400	WD8-1	OEZ:08749	0.110	12
	WD10-1	OEZ:08750	0.110	12
	WD8-2	OEZ:08751	0.110	12
	WD10-2	OEZ:08752	0.120	12
	WD8-3	OEZ:08753	0.130	6
	WD10-3	OEZ:08754	0.160	12



Specifications

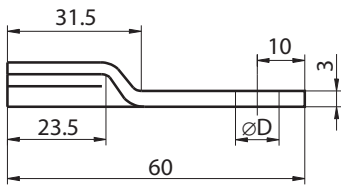
Type	For clamps	Use	hole diameter - D	For screw	
V8	4836 N-S, 4835, 5836-2x70	SPF00, SPB00, S3PB00	9	M8	
V10	4836 N-S, 4835, 5836-2x70	SPF00, SPB00, S3PB00	11	M10	
W10	5845, 5837-2x240	SPF1, SPF2, SPB1, SPB2, S3PB1, S3PB2	11	M10	
W12	5845, 5837-2x240	SPF1, SPF2, SPB1, SPB2, S3PB1, S3PB2	12.5	M12	
WD8-1	5845, 5837-2x240	SPF00, SPB00	9	M8	
WD10-1	5845, 5837-2x240	SPF1, SPF2, SPF3, SPB1, SPB2	11	M10	
WD8-2	5845, 5837-2x240	2xSPF00, 2xSPB00	9	M8	
WD10-2	5845, 5837-2x240	2xSPF1, 2xSPF2, 2xSPB1, 2xSPB2	11	M10	
WD8-3	5845, 5837-2x240	S3PB00, 3xSPF00, 3xSPB00	9	M8	
WD10-3	5845, 5837-2x240	S3PB1, 3xSPF1, 3xSPF2 ¹⁾ , 3xSPB1, 3xSPB2	11	M10	

¹⁾ Only with OEZ fuse-link

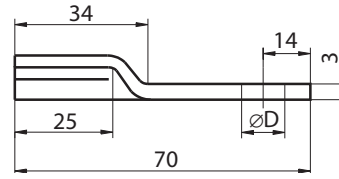
ACCESSORY FOR SPB, SPF

Dimensions

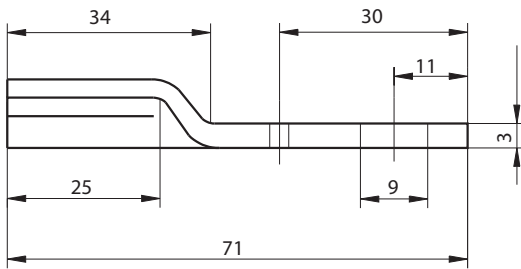
type „V“



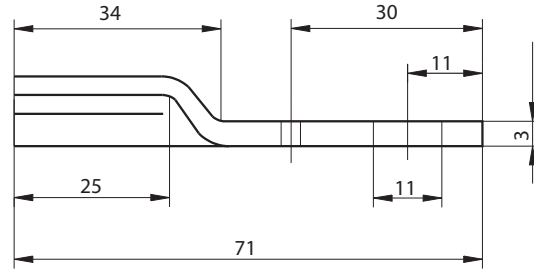
type „W“



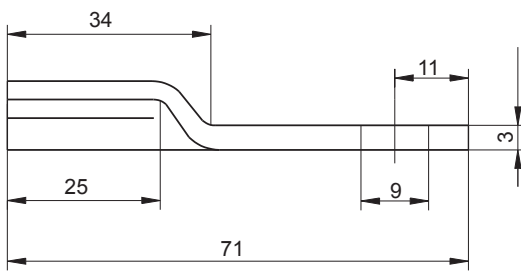
WD8-1



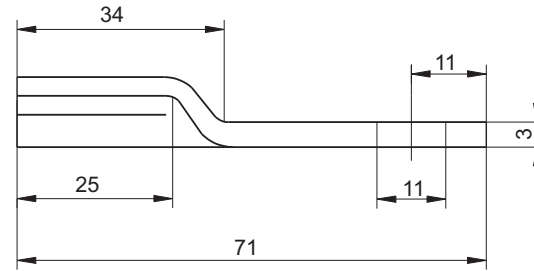
WD8-2, WD10-2



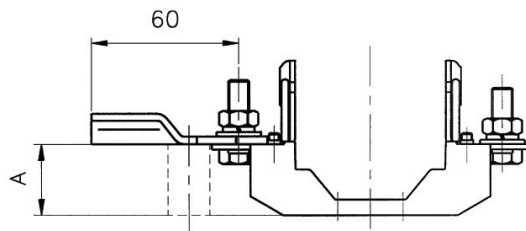
WD10-1



WD8-3, WD10-3



Recommended support for WD8, WD10



Support height	Dimensions [mm]
	A
SPF00	27
SPB00	21.7

NEUTRAL TERMINAL BRIDGES SNB, SNF



- They are used for interconnection of N and PEN conductors in particular in three-phase circuits.
- They can also be used for terminal board of N and PE conductors of cross-sections up to 10 mm².
- The base of SNB00 is made of fibreglass reinforced moulding material of high mechanical strength and thermal resistance.
- The base of SNF is made of steel sheet, metal plated, with steatite holders of current carrying parts.
- Current carrying parts are made of high-quality plated copper.
- Outlet terminals:
 - SNB00 MM termination pressing-in nut/ pressing-in nut
 - SNB00 VV termination V-shaped clamp/V-shaped clamp
 - SNB00 MV termination pressing-in nut / V-shaped clamp.

I _n [A]	Number of poles	Type	Order code	Weight [kg]	Package [pcs]
160	1	SNB00 MM	OEZ:07412	0.200	3
	1	SNB00 VV	OEZ:11868	0.350	3
	1	SNB00 MV	OEZ:15576	0.390	3
250	1	SNF1	OEZ:10406	0.590	3
400	1	SNF2	OEZ: 10407	0.670	3

Specifications

Type	SNB00	SNF1	SNF2
Standards	IEC 60269-1, -2 EN 60269-1, -2	IEC 60269-1, -2 EN 60269-1, -2	IEC 60269-1, -2 EN 60269-1, -2
Approval marks			
Rated current	I _n 160 A	250 A	400 A
Rated voltage AC/DC	U _n 690 V	690 V	690 V
Connection			
Branching terminal	1x M5	2x M5	2x M5
Main connection cross-section	2.5 ÷ 70 mm ²	25 ÷ 185 mm ²	95 ÷ 240 mm ²
Branching cross-section	Cu 1x (1.5 ÷ 6 mm ²) Al 1x (2.5 ÷ 6 mm ²)	Cu/Al 2x (2.5 ÷ 10 mm ²)	Cu/Al 2x (2.5 ÷ 10 mm ²)

Combinations of looping cross-sections for branching terminal for SNF1, SNF2

Cross-section	2.5 mm ²		4 mm ²		6 mm ²		10 mm ²	
	solid	stranded	solid	stranded	solid	stranded	solid	stranded
2.5 mm ² solid	x		x					
2.5 mm ² stranded				x				
4 mm ² solid	x		x		x			
4 mm ² stranded						x		
6 mm ² solid			x		x		x	
6 mm ² stranded								x
10 mm ² solid					x		x	
10 mm ² stranded								

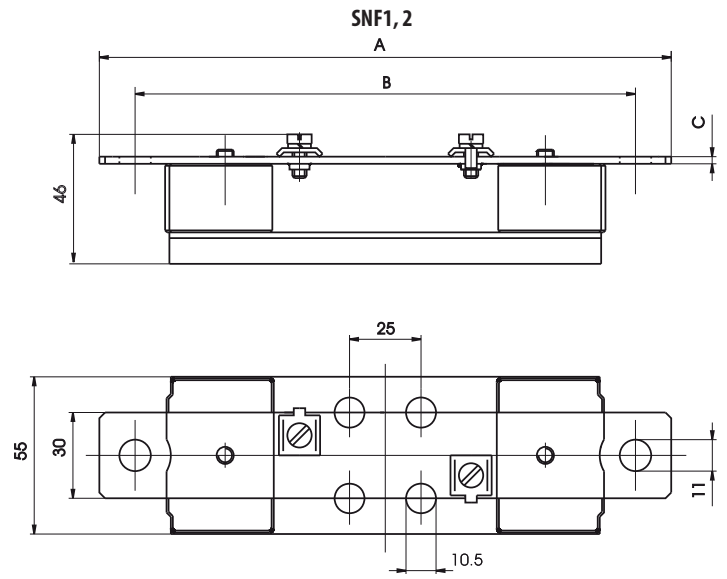
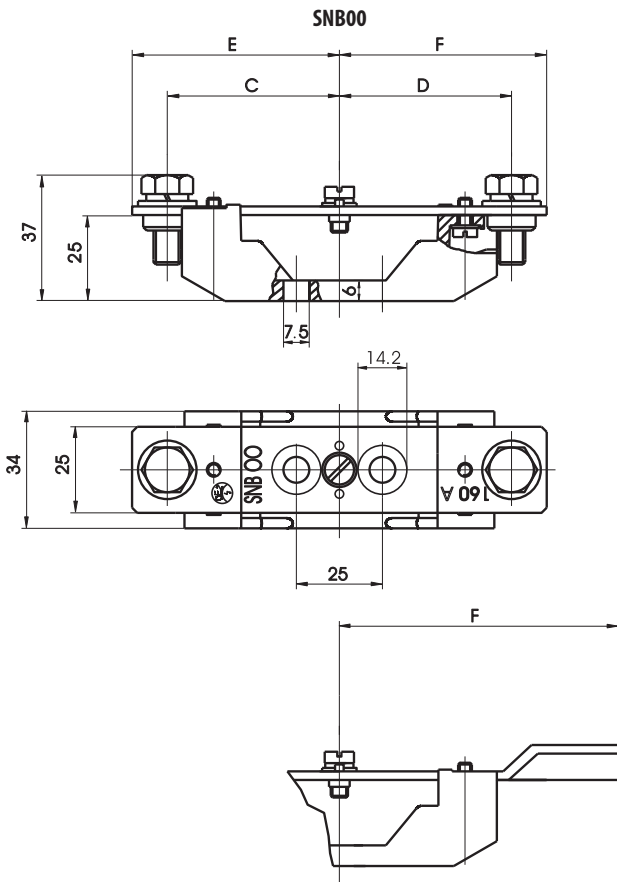
„x“ indicates permissible combination

Types of terminals

Marking	Terminal description									
<p>M</p>	Flat screw terminal with pressed nut on bottom side of terminal: <table border="1"> <thead> <tr> <th>Size</th> <th>Screws</th> <th>Torque</th> </tr> </thead> <tbody> <tr> <td>00</td> <td>M8 x 20</td> <td>10 ÷ 12 Nm</td> </tr> <tr> <td>1, 2, 3</td> <td>M10 x 30</td> <td>30 ÷ 35 Nm</td> </tr> </tbody> </table>	Size	Screws	Torque	00	M8 x 20	10 ÷ 12 Nm	1, 2, 3	M10 x 30	30 ÷ 35 Nm
Size	Screws	Torque								
00	M8 x 20	10 ÷ 12 Nm								
1, 2, 3	M10 x 30	30 ÷ 35 Nm								
<p>V</p>	V-shaped terminal for clamps type 4836 N-5, 4835 and 5836-2x70 for fuse-base size 00.									

NEUTRAL TERMINAL BRIDGES SNB, SNF

Dimensions



Type	A	B	C
	[mm]		
SNF1	200	175	2.5
SNF2	228	200	3.5

Type	C	E	F
	[mm]		
SNB00 MM	50 ± 0.75	60.2	-
SNB00 VV	-	-	60.2
SNB00 MV	50 ± 0.75	60.2	-